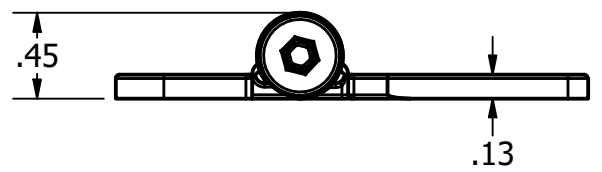
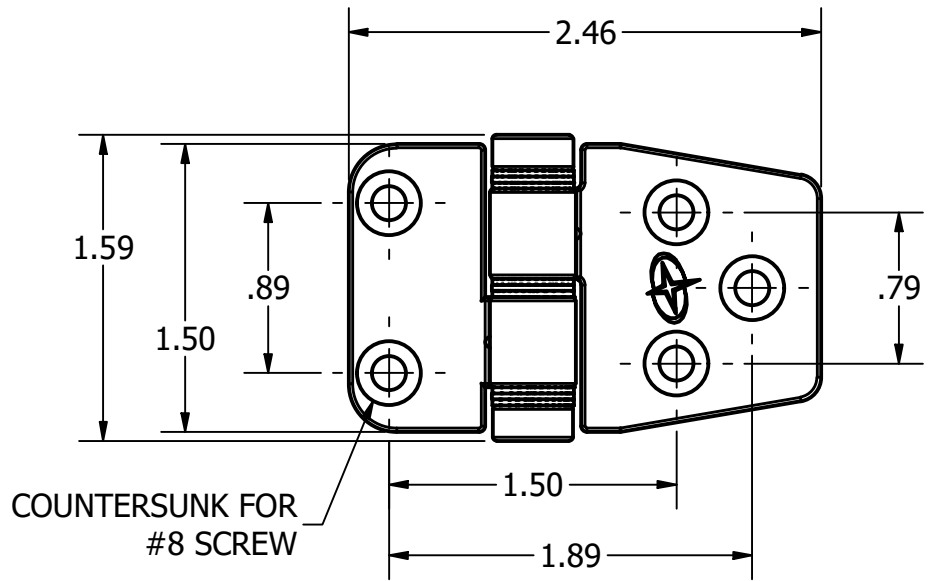


Marketing Drawing for FH-1269-TM



Description
 FRICTION HINGE 2.47"x1.5"

Size	Part No	Units	Rev	Scale
A	FH-1269-TM	INCHES	0	1:1

Phone: 800.874.4506 www.gemplux.com